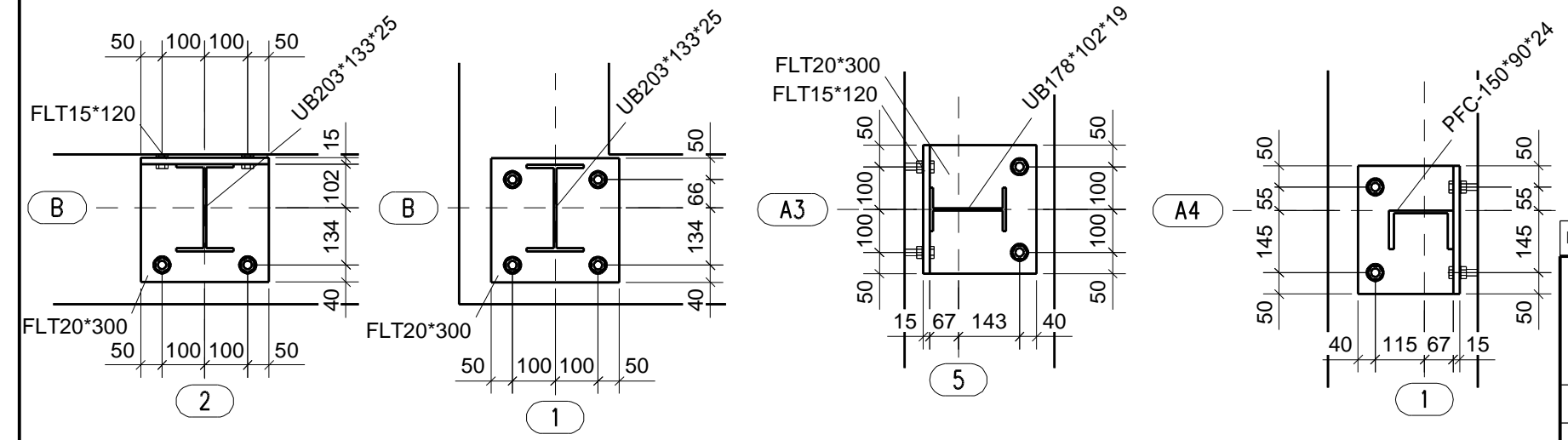
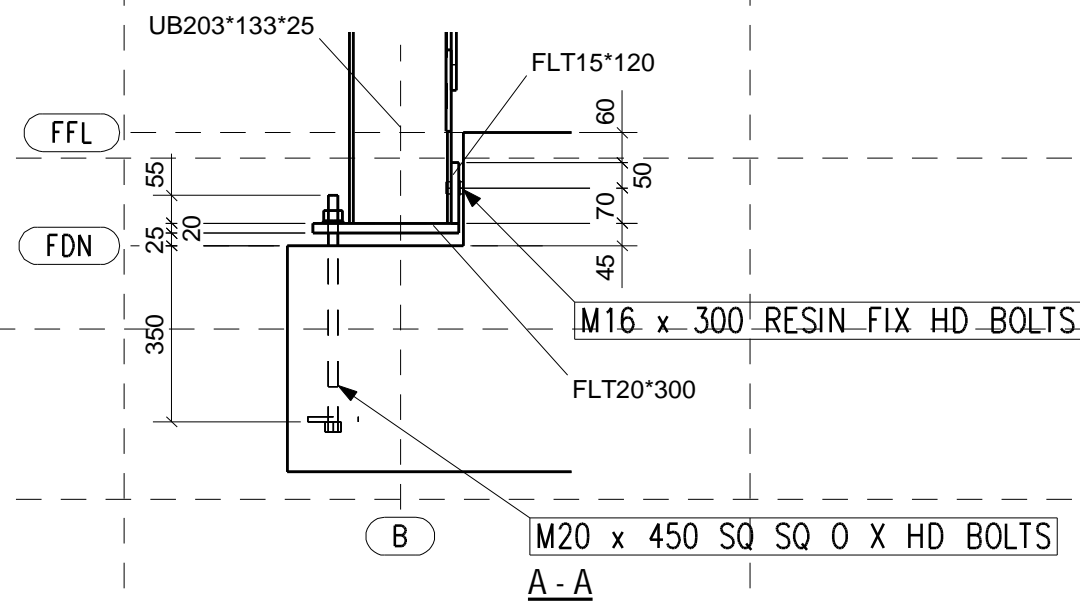
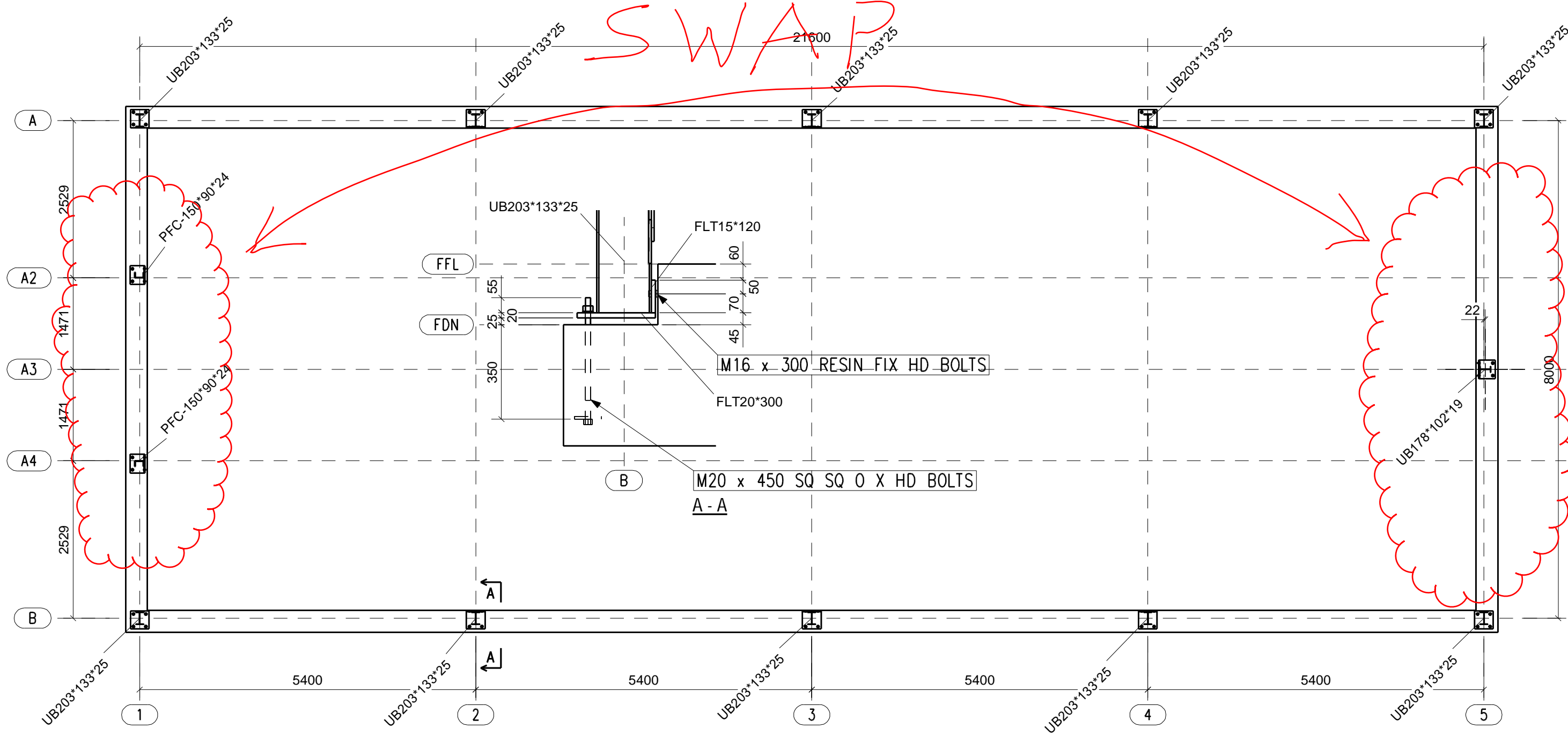


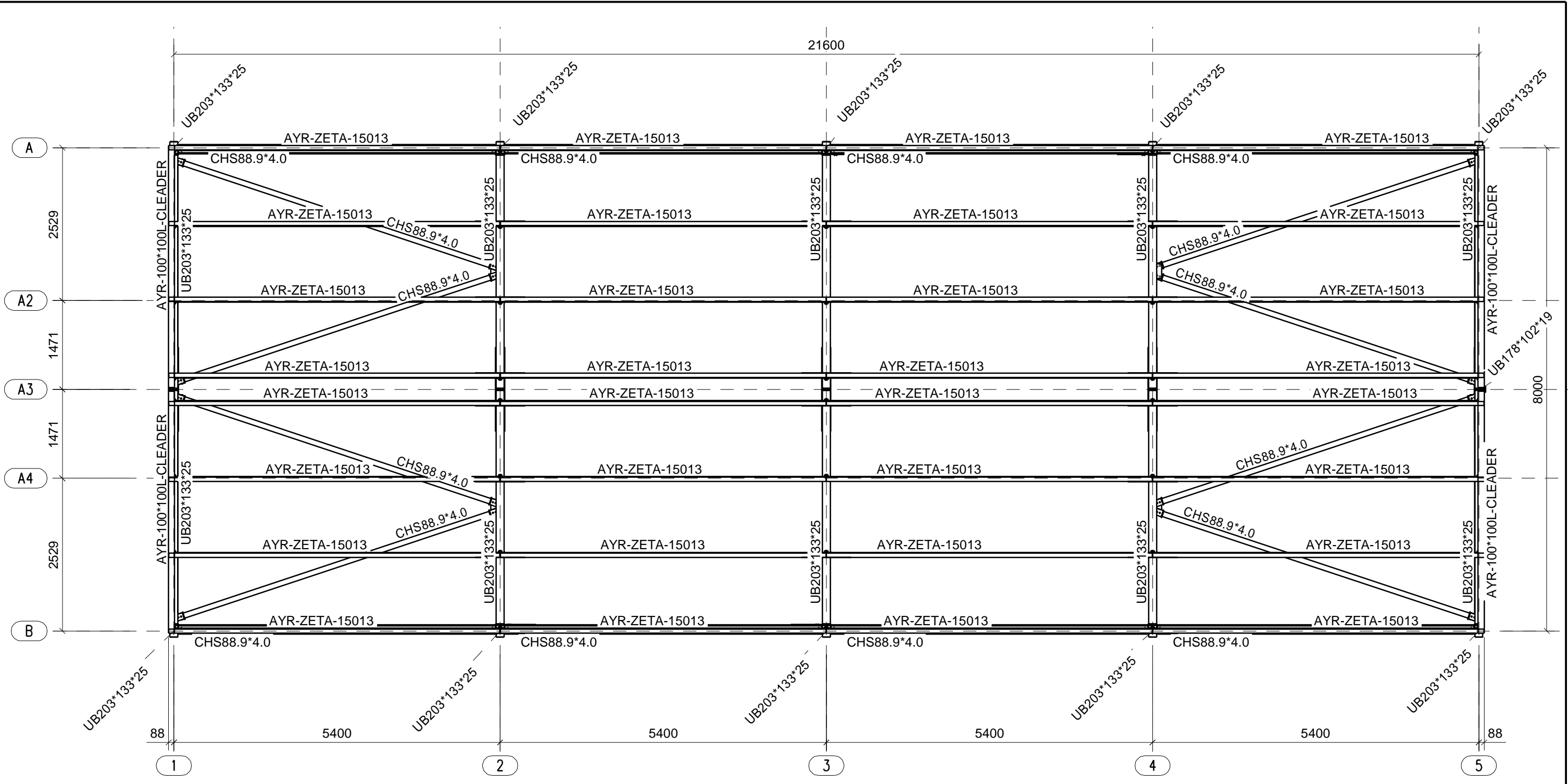
REV No	REV MARK	REVISION DESCRIPTION	REVISION DATE
<b>H T BILLSON</b> SACKVILLE ST. KETTERING Tel: 01536 512194			NORTEC 3D <b>Xsteel®</b> <a href="http://www.nortec3d.co.uk">www.nortec3d.co.uk</a>
DRAWING TITLE		3D VIEW	
CONTRACT		OUNDLE BOAT HOUSE	
MODELLED BY	JN	ISSUE DATE	29.04.2006
CONTRACT NO	D1789	SCALE	1/65
DRAWING No	G [1]	REVISION MARK	

SWAP



REFER TO BOB SCOTT DRAWINGS FOR SETTING OUT OF SLAB

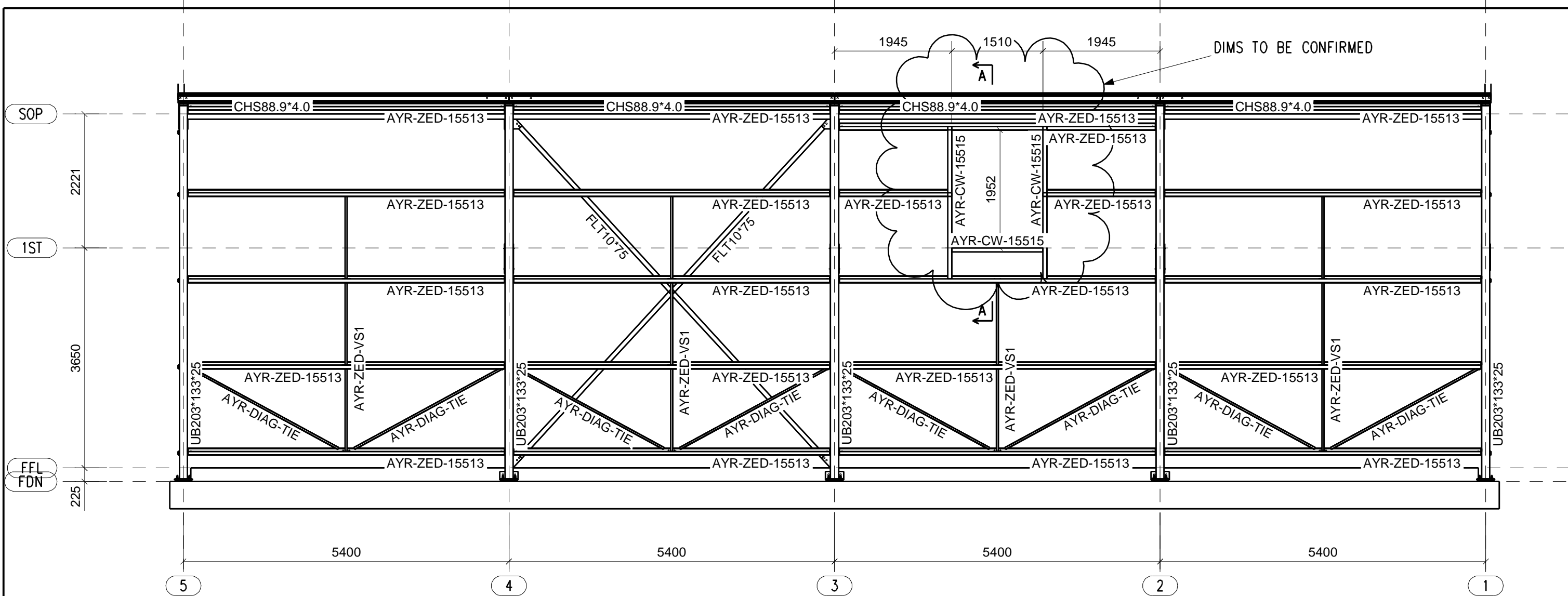
REV No	REV MARK	REVISION DESCRIPTION	REVISION DATE
<b>H T BILLSON</b> SACKVILLE ST. KETTERING Tel: 01536 512194			NORTEC 3D <b>Xsteel®</b> www.nortec3d.co.uk
DRAWING TITLE		COLUMN SETTING OUT & HD BOLT DETAILS	
CONTRACT		OUNDLÉ BOAT HOUSE	
MODELLED BY	JN	ISSUE DATE	29.04.2006
CONTRACT NO	D1789	SCALE	1/15 1/65
DRAWING No	G [2]	REVISION MARK	



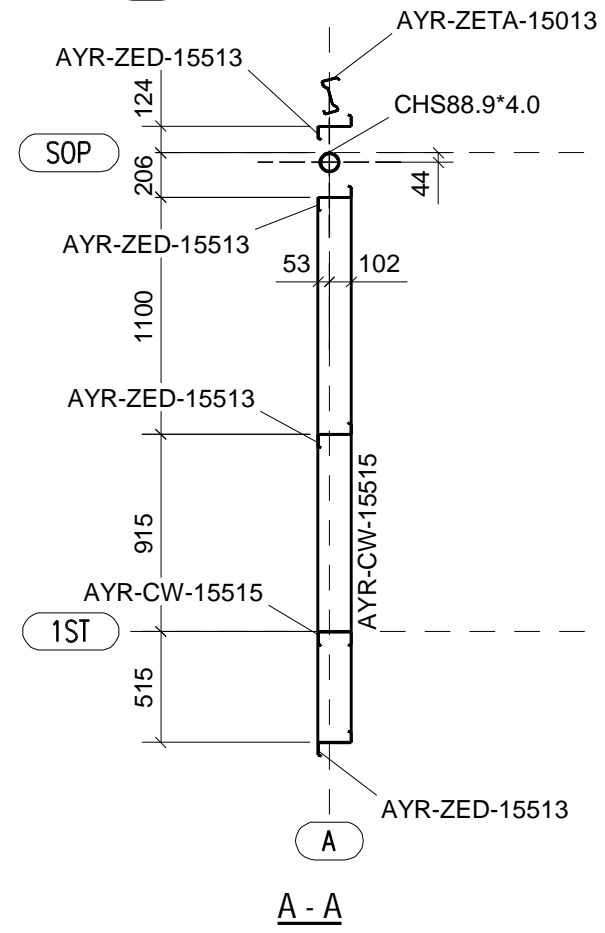
ROOF PITCH = 15 DEG



REV No	REV MARK	REVISION DESCRIPTION	REVISION DATE
<b>H T BILLSON</b> SACKVILLE ST. KETTERING Tel: 01536 512194			NORTEC 3D <b>Xsteel®</b> <small>www.nortec3d.co.uk</small>
DRAWING TITLE		ROOF PLAN	
CONTRACT		OUNDLE BOAT HOUSE	
MODELLED BY	JN	ISSUE DATE	29.04.2006
CONTRACT NO	D1789	SCALE	1/65
DRAWING No	G [3]	REVISION MARK	



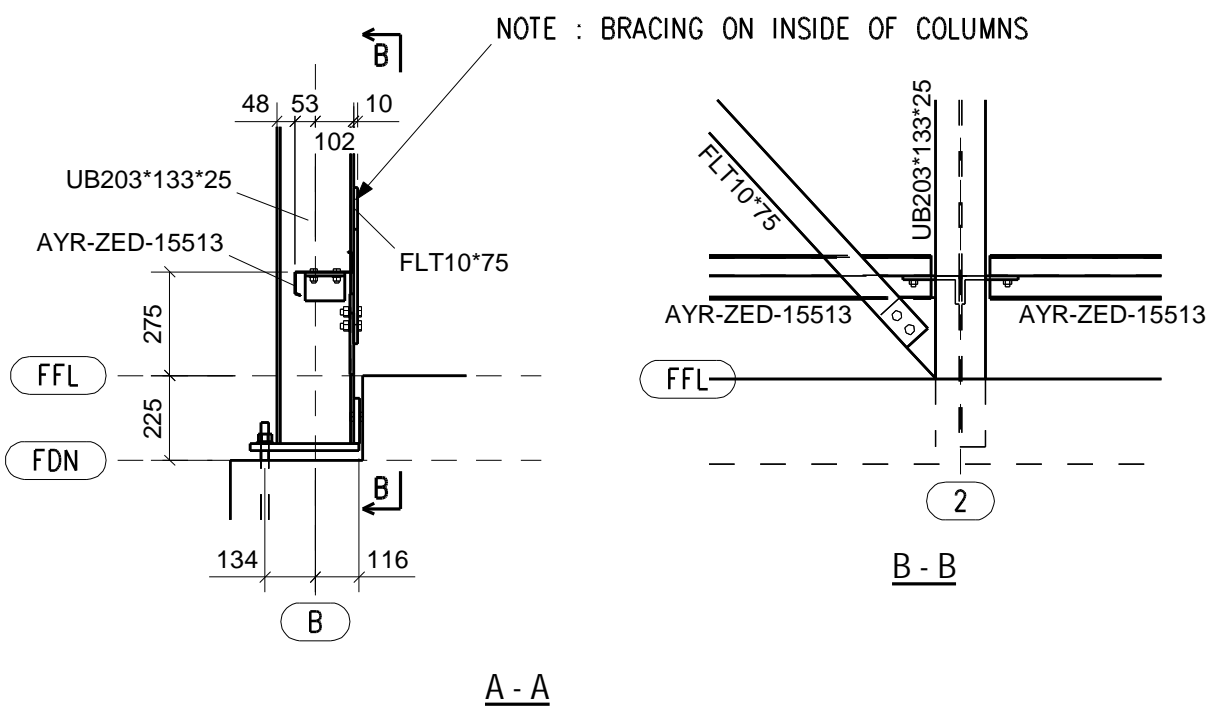
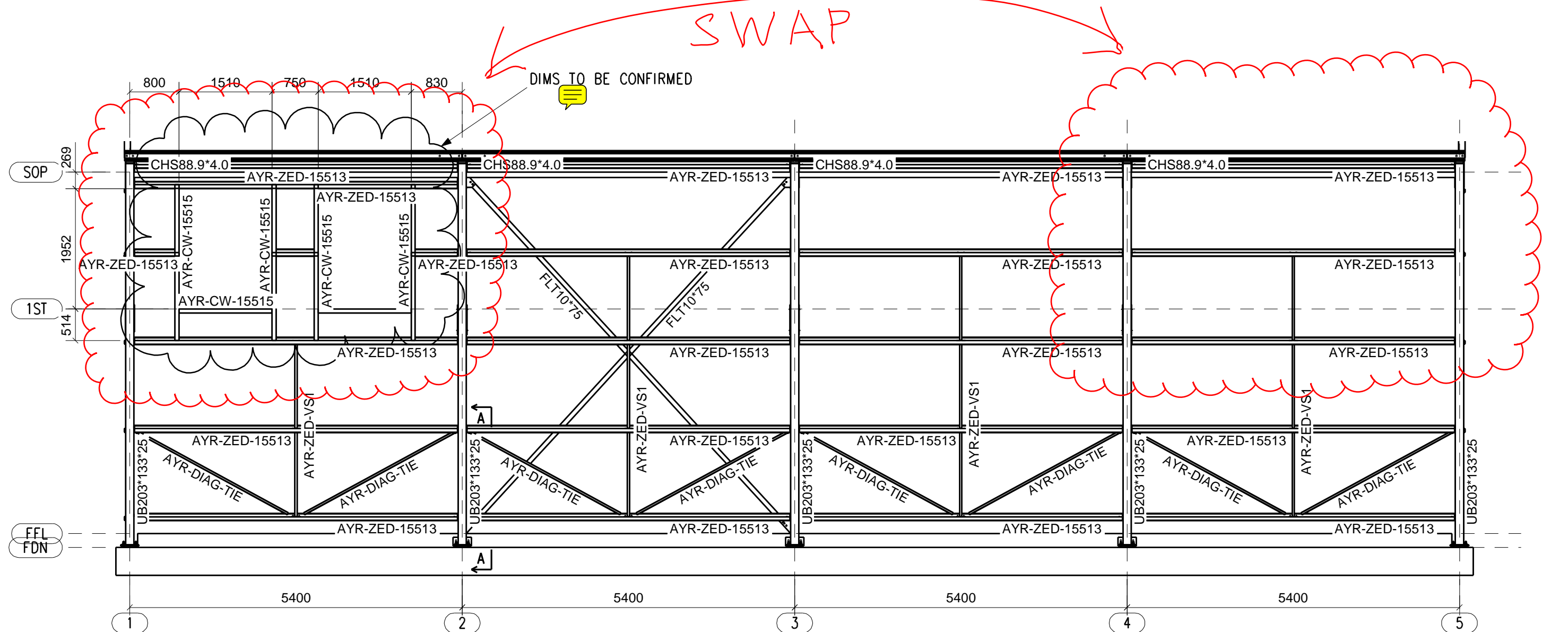
1945 1510 1945  
 DIMS TO BE CONFIRMED



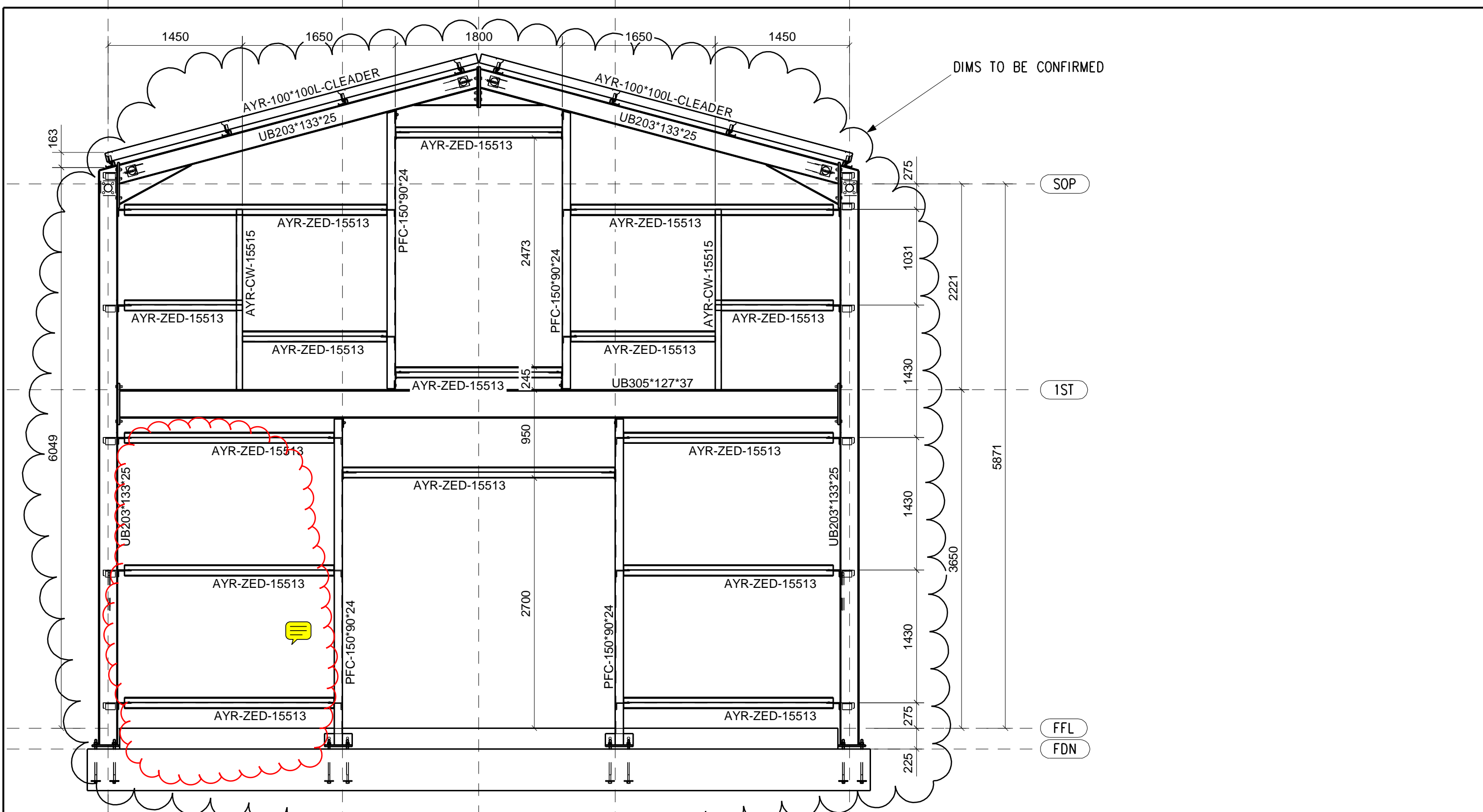
NOTES:  
 INTERNAL TIMBER BOARDING ONTO INSIDE OF COLS  
 EXT HORIZ CLADDING ON VERT ZEDS BY CLADDING CONTRACTOR  
 ALL SHEETING RAILS ARE FLUSH WITH THE INSIDE OF COLS  
 VERT CROSS BRACING IS POSITIONED INSIDE COLUMNS

TO BE CONFIRMED

REV No	REV MARK	REVISION DESCRIPTION	REVISION DATE
<b>H T BILLSON</b> SACKVILLE ST. KETTERING Tel: 01536 512194			NORTEC 3D <b>Xsteel®</b> www.nortec3d.co.uk
DRAWING TITLE		ELEVATION ON GL A	
CONTRACT		OUNDLE BOAT HOUSE	
MODELLED BY	JN	ISSUE DATE	29.04.2006
CONTRACT NO	D1789	SCALE	1/35 1/65
DRAWING No	G [4]	REVISION MARK	



REV No	REV MARK	REVISION DESCRIPTION	REVISION DATE
<b>H T BILLSON</b> SACKVILLE ST. KETTERING Tel: 01536 512194			NORTEC 3D <b>Xsteel®</b> <a href="http://www.nortec3d.co.uk">www.nortec3d.co.uk</a>
DRAWING TITLE		ELEVATION ON GL B	
CONTRACT		OUNDLE BOAT HOUSE	
MODELLED BY	JN	ISSUE DATE	29.04.2006
CONTRACT NO	D1789	SCALE	1/20      1/65
DRAWING No	G [5]	REVISION MARK	



DIMS TO BE CONFIRMED

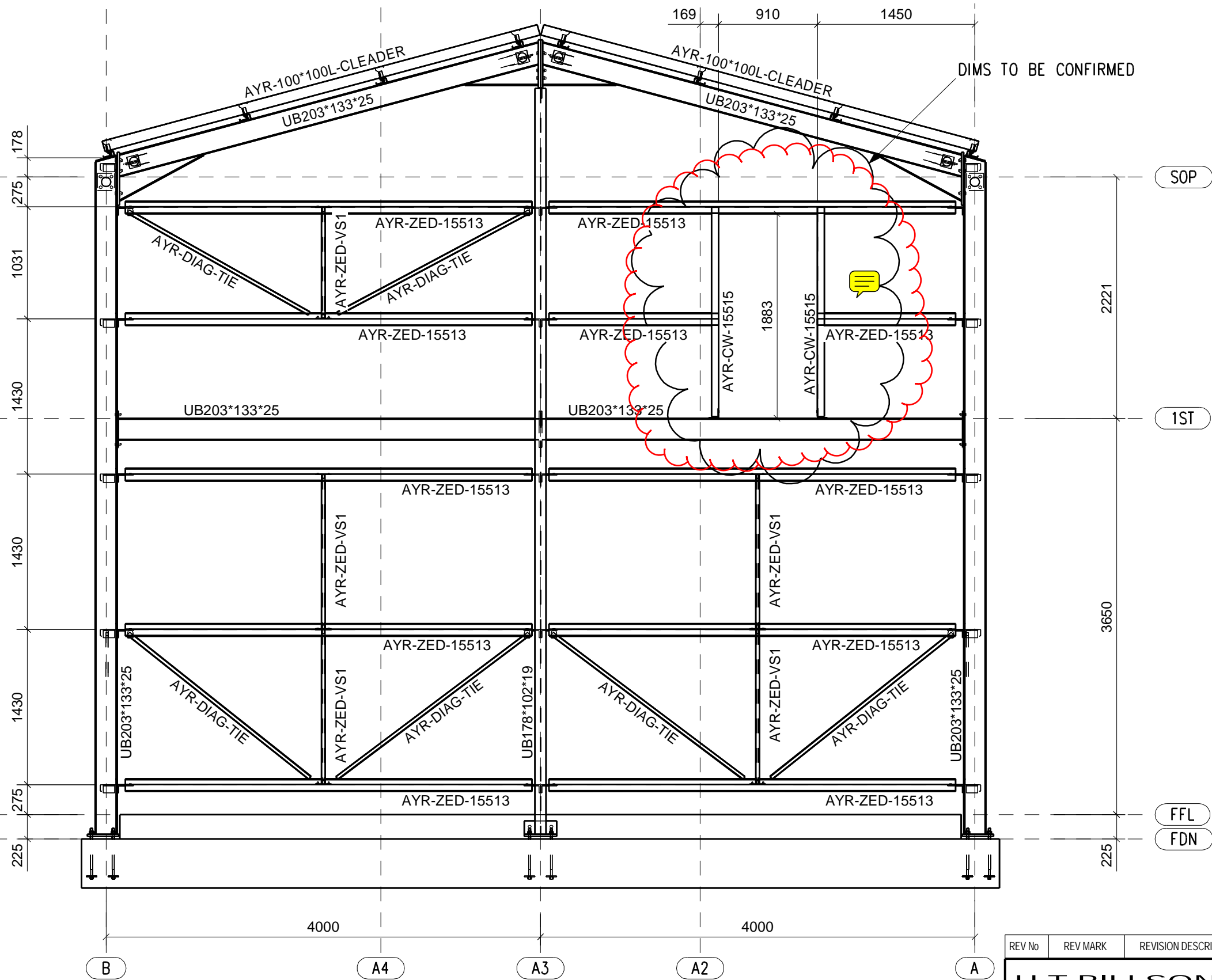
SOP

1ST

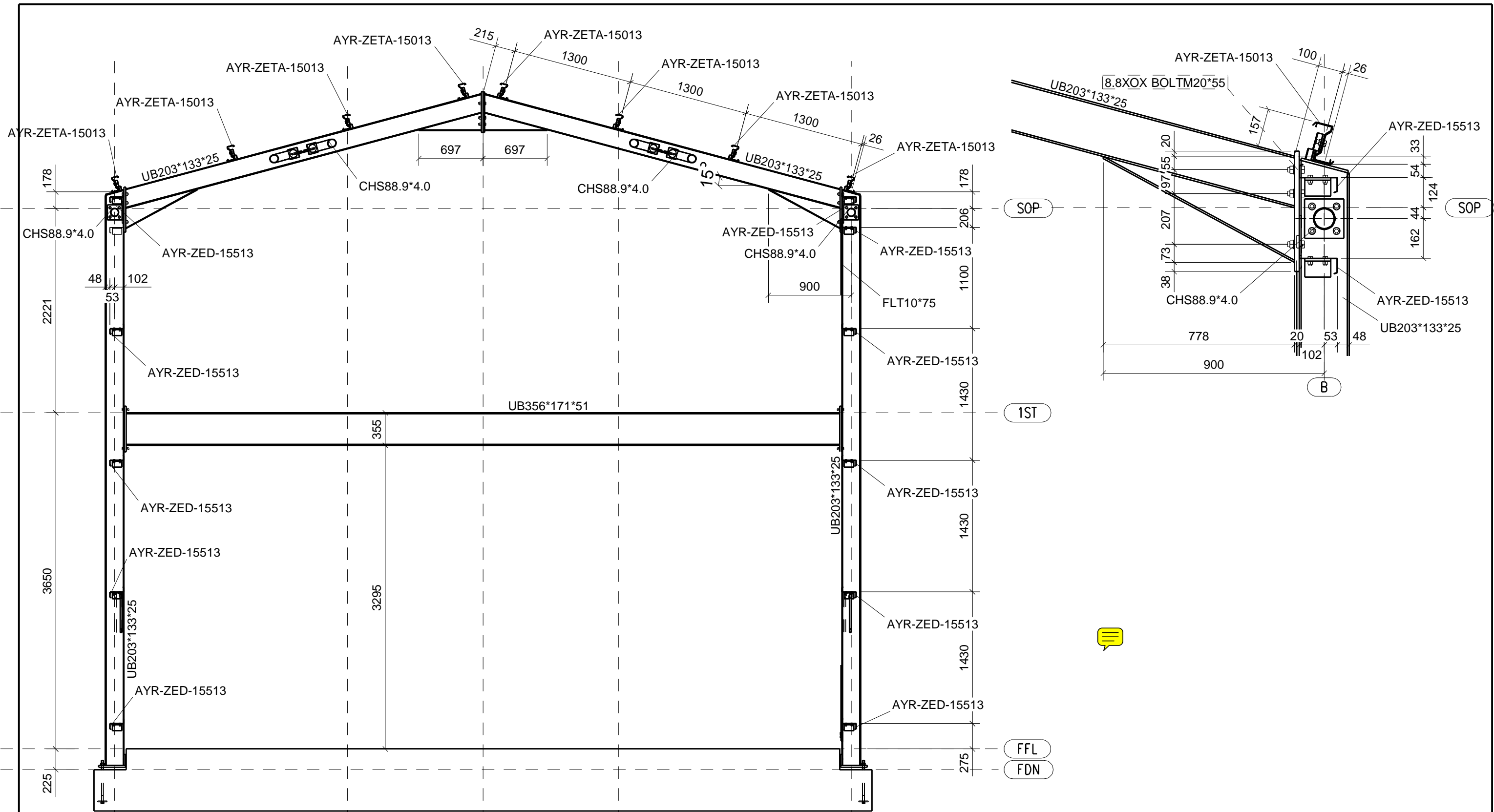
FFL

FDN

REV No	REV MARK	REVISION DESCRIPTION	REVISION DATE
<b>H T BILLSON</b> SACKVILLE ST. KETTERING Tel: 01536 512194			NORTEC 3D <b>Xsteel®</b> <a href="http://www.nortec3d.co.uk">www.nortec3d.co.uk</a>
DRAWING TITLE		ELEVATION ON GL 1	
CONTRACT		OUNDLE BOAT HOUSE	
MODELLED BY	JN	ISSUE DATE	29.04.2006
CONTRACT NO	D1789	SCALE	1/40
DRAWING No	G [6]	REVISION MARK	



REV No	REV MARK	REVISION DESCRIPTION	REVISION DATE
<b>H T BILLSON</b> SACKVILLE ST. KETTERING Tel: 01536 512194			NORTEC 3D <b>Xsteel®</b> <a href="http://www.nortec3d.co.uk">www.nortec3d.co.uk</a>
DRAWING TITLE		ELEVATION ON GL 5	
CONTRACT		OUNDLE BOAT HOUSE	
MODELLED BY	JN	ISSUE DATE	30.04.2006
CONTRACT NO	D1789	SCALE	1/40
DRAWING No	G [7]	REVISION MARK	



REV No	REV MARK	REVISION DESCRIPTION	REVISION DATE
<b>H T BILLSON</b> SACKVILLE ST. KETTERING Tel: 01536 512194			NORTEC 3D <b>Xsteel®</b> <a href="http://www.nortec3d.co.uk">www.nortec3d.co.uk</a>
DRAWING TITLE		SECTION ON GL 2	
CONTRACT		OUNDLÉ BOAT HOUSE	
MODELLED BY	JN	ISSUE DATE	30.04.2006
CONTRACT NO	D1789	SCALE	1/15 1/40
DRAWING No	G [8]	REVISION MARK	