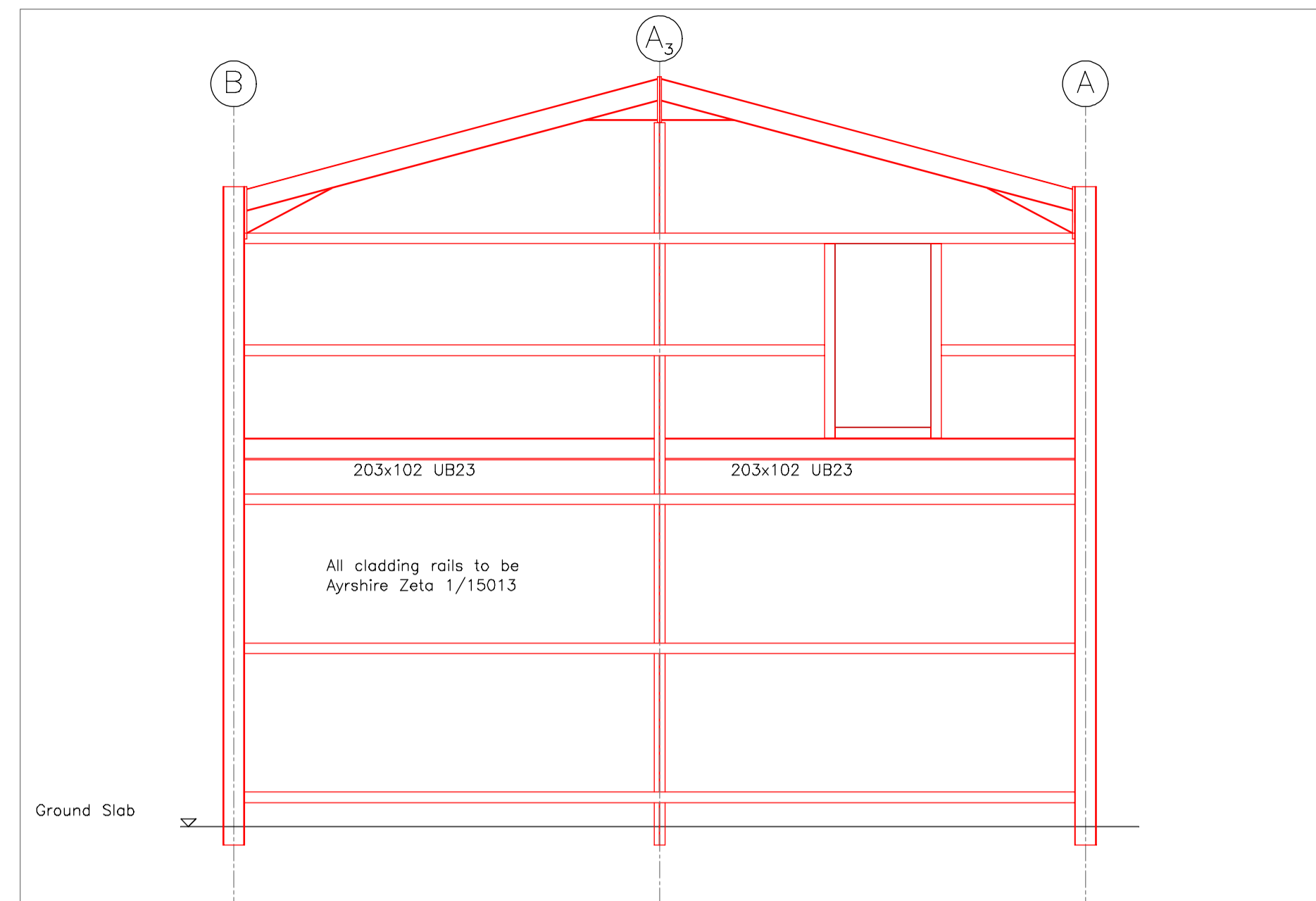
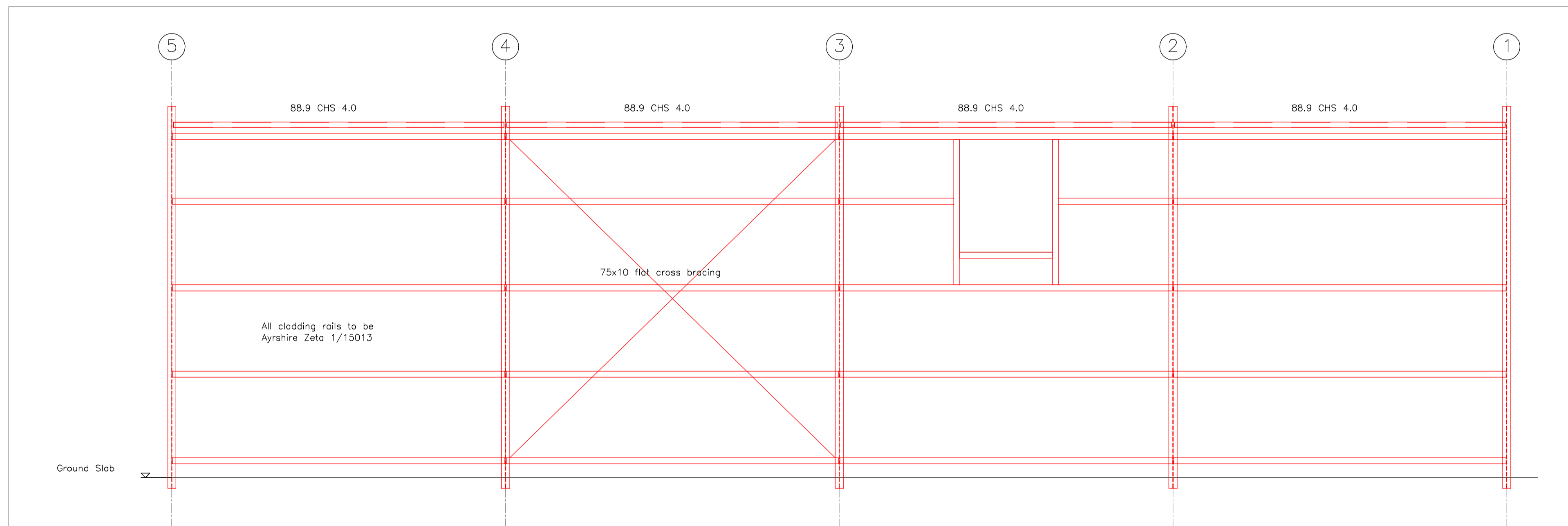


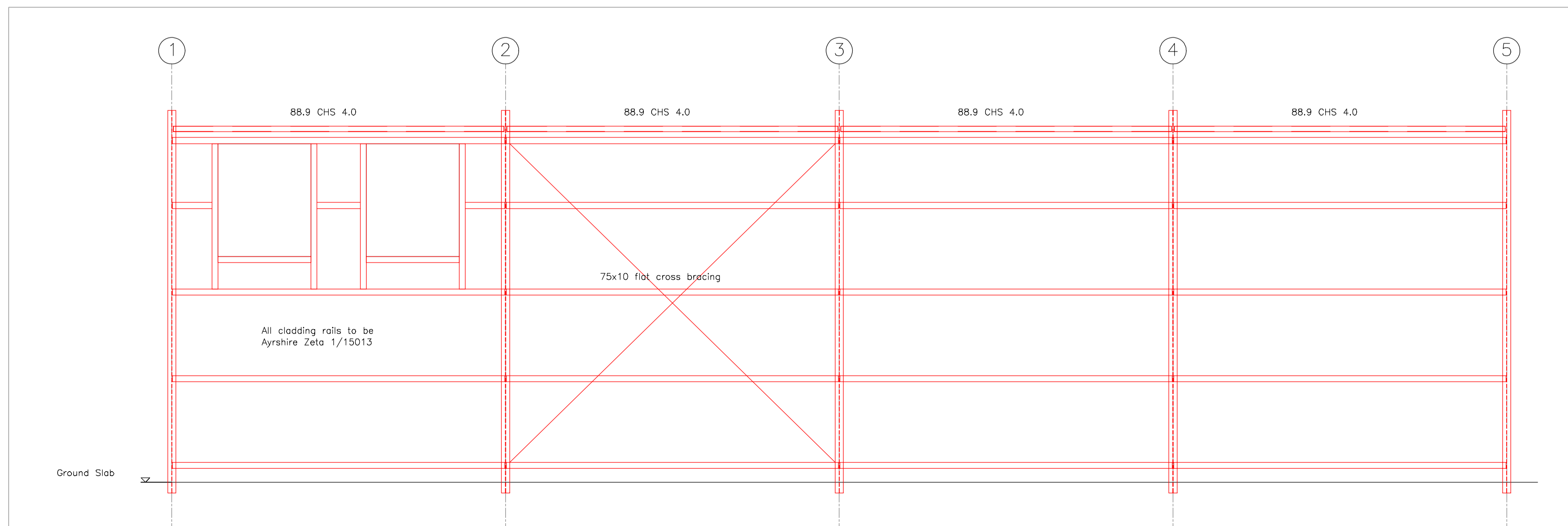
Elevation on Grid Line 1; 1:50



Elevation on Grid Line 5; 1:50



Elevation on Grid Line A; 1:50



Elevation on Grid Line B; 1:50

GENERAL NOTES:

1. Drawing to be read in conjunction with architect's drawings.
2. All dimensions to be checked on site prior to ordering structural members.
3. Do not scale from drawing.
4. If in doubt, ask.

REV.	DATE:	COMMENTS:
CLIENT:		
Uundle Town Rowing Club		
JOB TITLE:		
Proposed New Boat House, Barnwell		
DRAWING TITLE:		
Elevations Cladding Rails and Other Steelwork		
DRAWING NUMBER:		DATE:
06007/04		January 2006

BOB SCOTT
 Consulting Structural
 Engineer, Unit 2,
 Barnwell Manor Ind. Estate
 Home Farm, Barnwell
 PETERBOROUGH PE8 5PL
 (01832) 274604