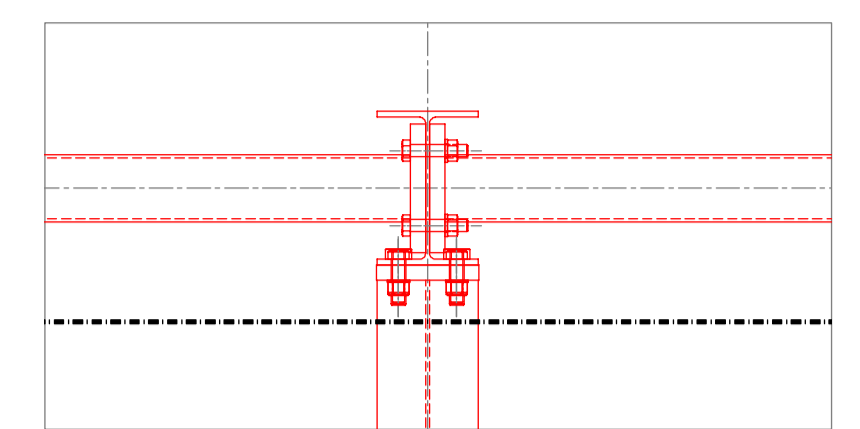
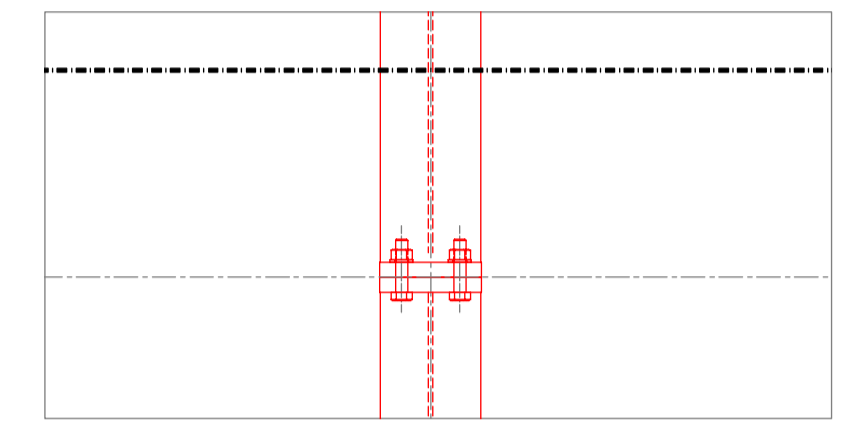


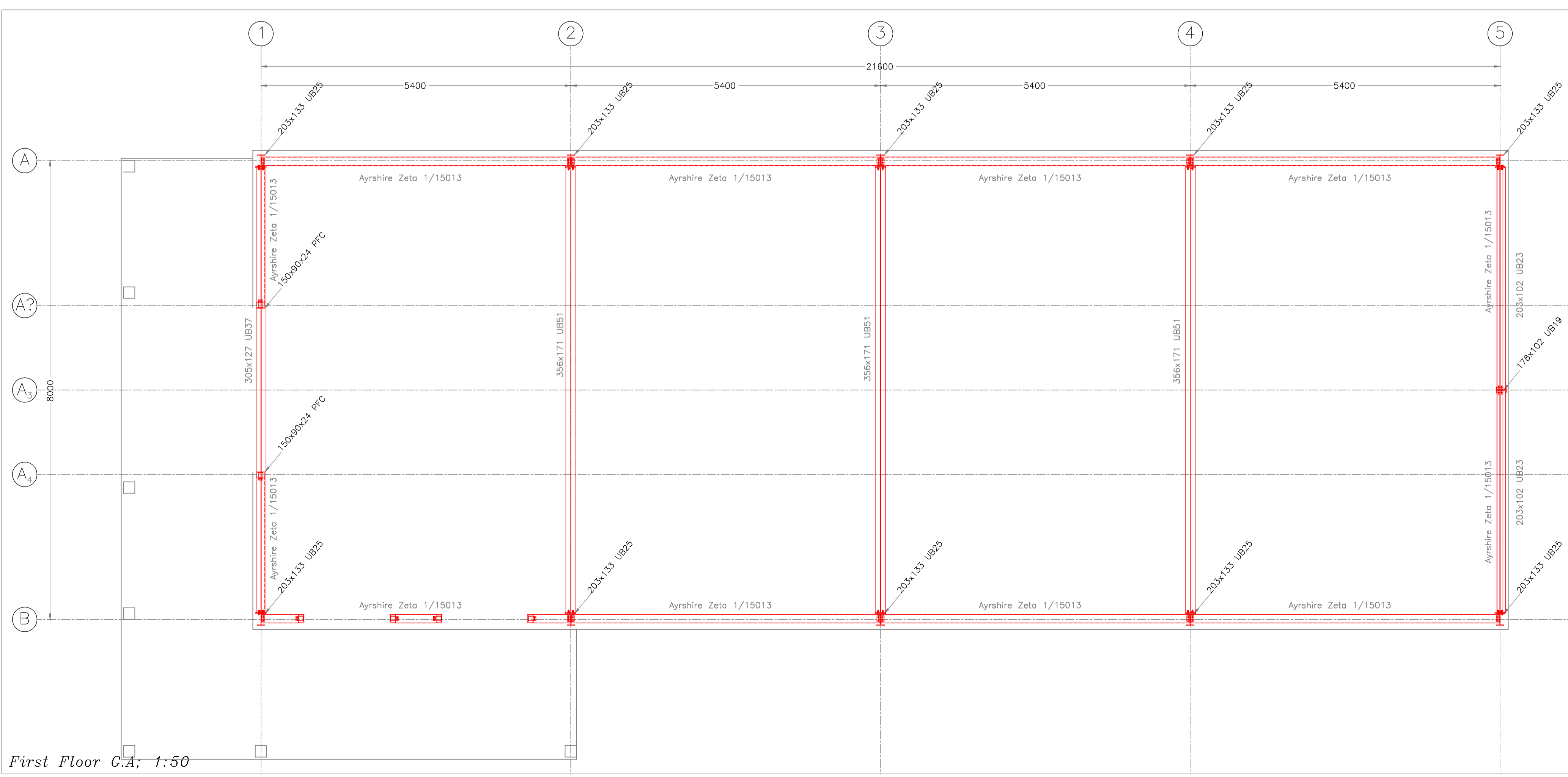
Roof G.A; 1:50



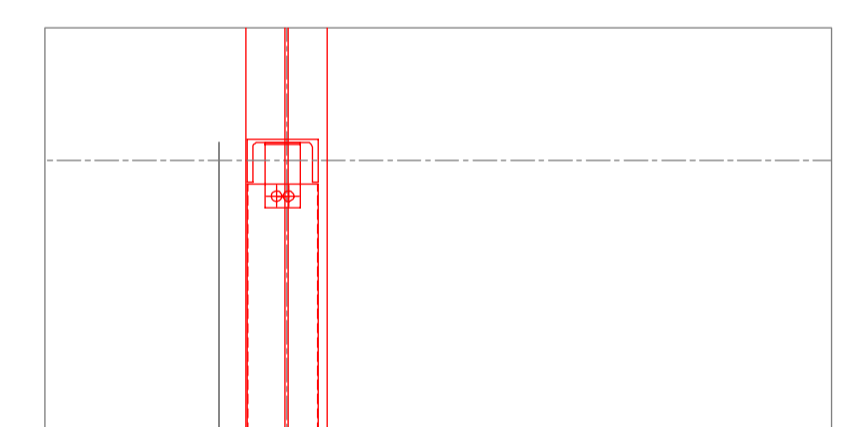
Eaves Beam to Column Connection Detail, Flank Wall; 1:10



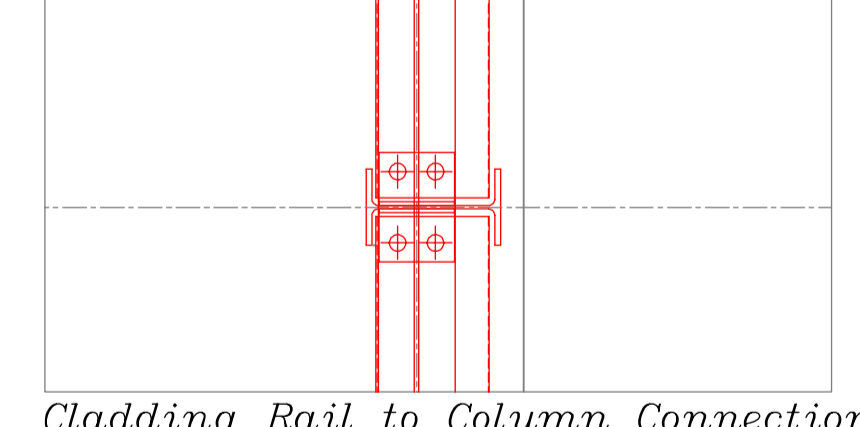
Steel Rafter to Steel Rafter Connection Detail; 1:10



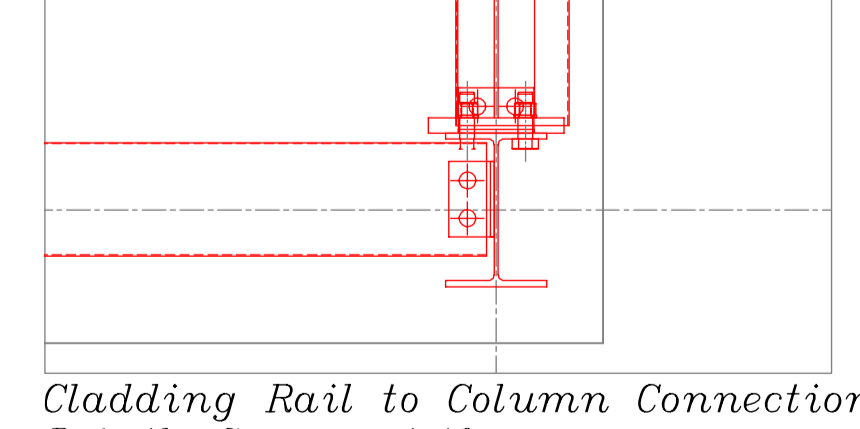
First Floor G.A; 1:50



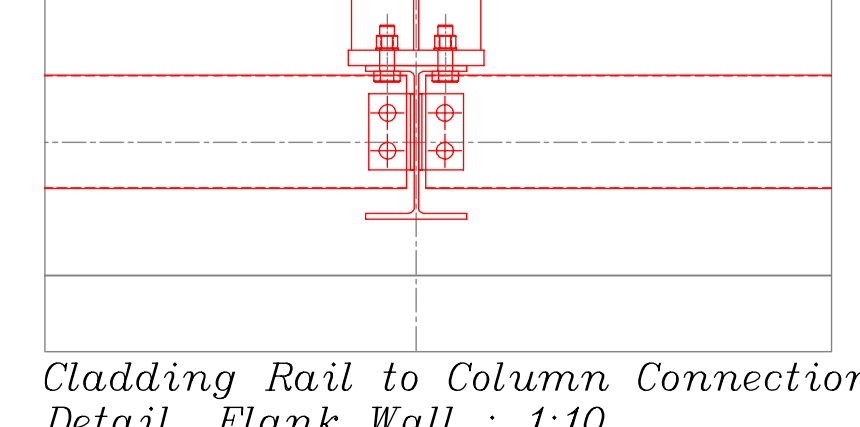
Cladding Rail to PFC Connection Detail, Gable End; 1:10



Cladding Rail to Column Connection Detail, Gable End; 1:10



Cladding Rail to Column Connection Detail, Corner; 1:10



Cladding Rail to Column Connection Detail, Flank Wall; 1:10

- GENERAL NOTES:**
1. Drawing to be read in conjunction with architect's drawings.
 2. All dimensions to be checked on site prior to ordering structural members.
 3. Do not scale from drawing.
 4. If in doubt, ask.

REV.	DATE:	COMMENTS:
CLIENT: Oundle Town Rowing Club		
JOB TITLE: Proposed New Boat House, Barnwell		
DRAWING TITLE: First Floor and Roof G.A with Sections and Details		
DRAWING NUMBER: 06007/02		DATE: January 2006

BOB SCOTT
 Consulting Structural
 Engineer, Unit 2,
 Barnwell Manor Ind. Estate
 Home Farm, Barnwell
 PETERBOROUGH PE8 5PL
 (01832) 274604