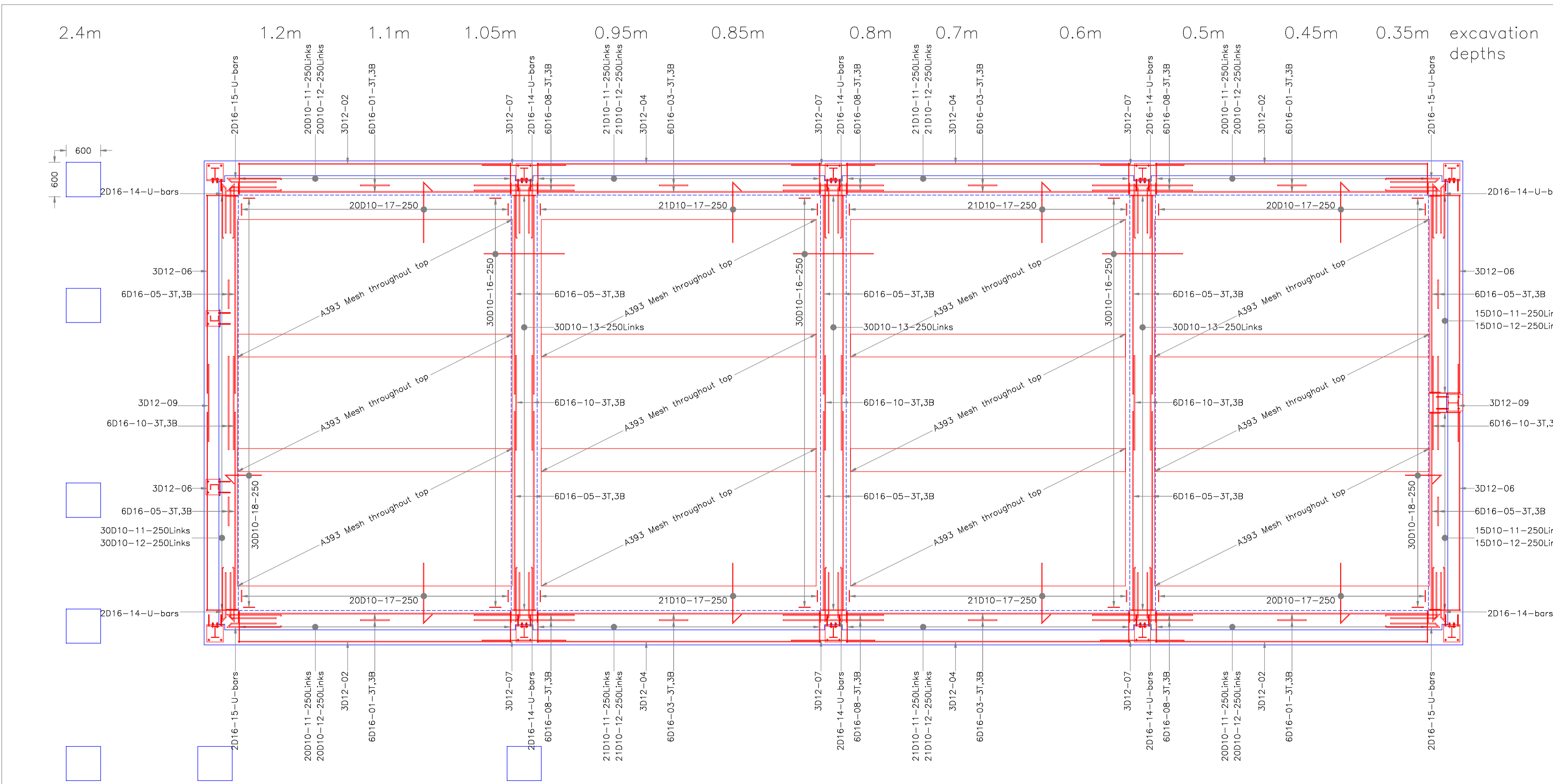
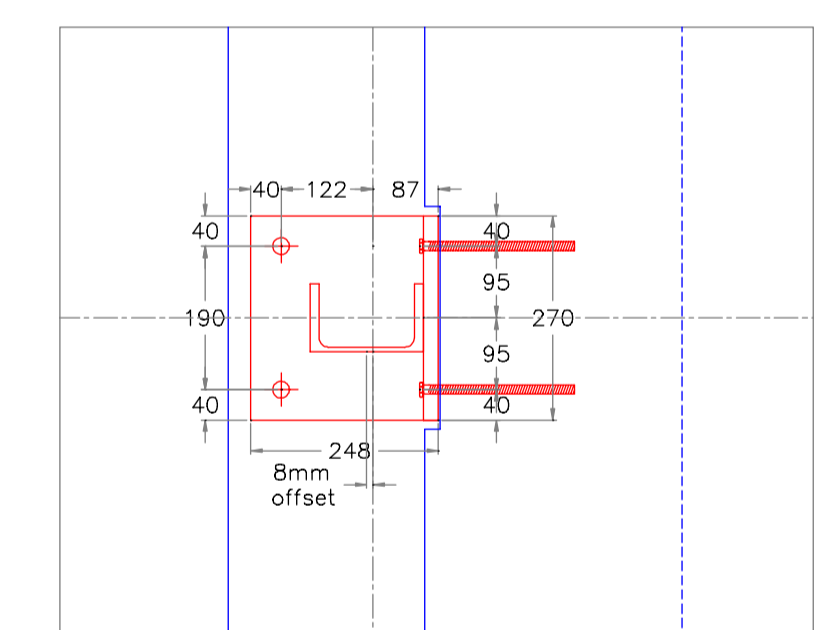


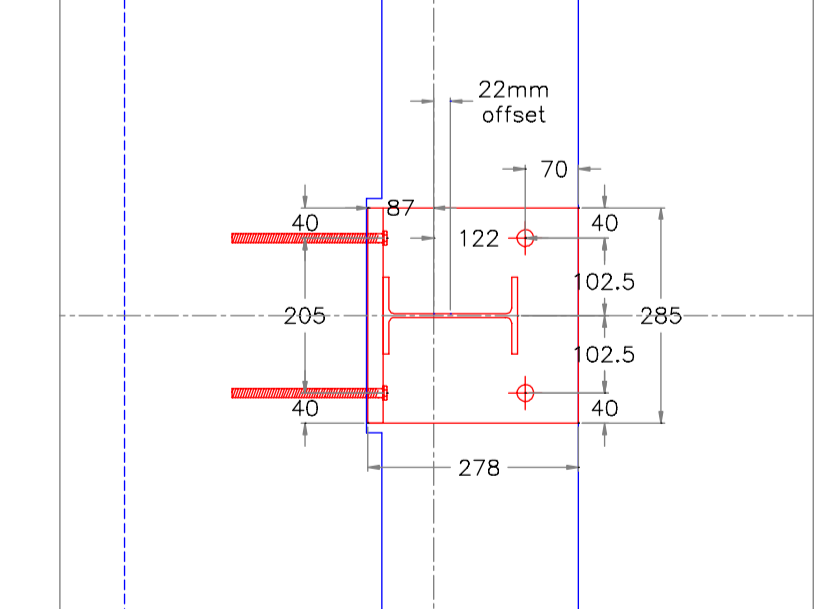
Ground Floor C.A.; 1:50



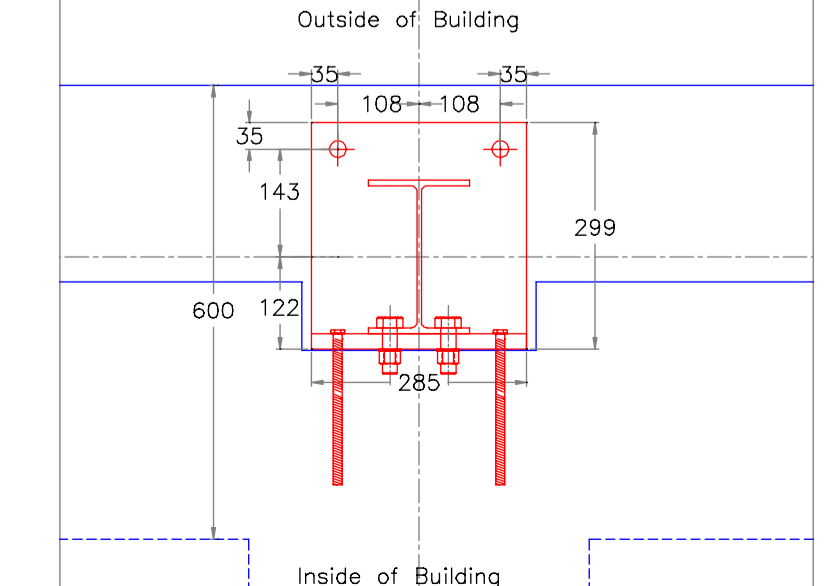
Raft Foundation G.A.; 1:50



Holding Down Bolt Layout, For PFC Columns, Cable Wall; 1:10



Holding Down Bolt Layout, Cable Wall; 1:10



Holding Down Bolt Layout, Flank Wall; 1:10

- GENERAL NOTES:**
1. Drawing to be read in conjunction with architect's drawings.
 2. All dimensions to be checked on site prior to ordering structural members.
 3. Do not scale from drawing.
 4. If in doubt, ask.

REV.	DATE:	COMMENTS:
CLIENT: Oundle Town Rowing Club		
JOB TITLE: Proposed New Boat House, Barnwell		
DRAWING TITLE: Raft and Ground Floor G.A with Sections and Details		
DRAWING NUMBER: 06007/01		DATE: January 2006

BOB SCOTT
 Consulting Structural Engineer, Unit 2, Barnwell Manor Ind. Estate Home Farm, Barnwell PETERBOROUGH PE8 5PL (01832) 274604